

EHA²

Acoustic humidity sensitive air inlet



Humidity sensitive system: modulates the airflow according to the local relative humidity rate.



Acoustic attenuation up to 42 dB with accessories.



Optional closing and opening device.



Slim profile for easy adaptation on windows.



Easy to maintain: no adjustment, simple yearly-dusting.



Stylish design, with maximum functions

The stylish design of the EHA² inlet enables perfect integration on most windows or rolling shutter casings. With the inclusion of high efficiency acoustic foam the product reaches an acoustic attenuation of up to 42 dB when mounted with the special base and canopy. An optional device allows on demand manually closing or opening of the air inlet, complementing the humidity sensitive function available on the EHA².

Oblique air jet for occupant comfort (1)

The oblique air jet of the EHA² skims the ceiling ensuring progressive heating of fresh air for the improved comfort of the occupants.

Optional opening and closing device (2)

This device is available on versions '5-35' (humidity sensitive) and '35' (without humidity control); it enables the occupant to choose between three modes: minimum, automatic (humidity sensitive) or maximum airflow. The device can be added after the product is installed.

Efficient protection against external noise (3)

When installed on its acoustic base and with acoustic external canopy (A-EHA), the EHA² air inlet offers great acoustic attenuation, up to 42 dB at maximum opening, which makes it one of the best products available on the market with an air cross section this size (3 600 mm²).





EHA² Window acoustic air inlet

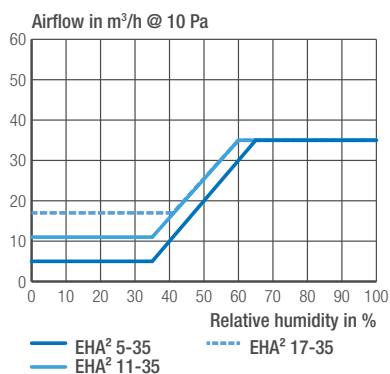
		EHA ² 5-35	EHA ² 11-35	EHA ² 17-35	EFA ² 35
Standard code		EAR200	EAR202	EAR203	EAF309
Airflow characteristics					
Humidity sensitive		■	■	■	-
Closing + opening device*		□ (EAR201)	-	-	□ (EAF313)
Airflow (min.-max.) @ 10 Pa**	m ³ /h	5-35	11-35	17-35	35
Max. opening area	mm ²	3 600	3 600	3 600	3 600
Acoustics					
Dn,e,w (C ; Ctr) Acoustic attenuation @ max. opening, air inlet	dB	37 (0 ; 0)	37 (0 ; 0)	37 (0 ; 0)	37 (0 ; 0)
Dn,e,w (C ; Ctr) Acoustic attenuation @ max. opening, with A-EHA + E-EHA ²	dB	42 (0 ; 0)	42 (0 ; 0)	42 (0 ; 0)	42 (0 ; 0)
Accessories					
Flat canopy		AP	AP	AP	AP
Acoustic canopy		A-EHA	A-EHA	A-EHA	A-EHA
Anti-insect canopy		AS	AS	AS	AS
Airflow controller canopy		AC	AC	AC	AC
Reinforced acoustic base		E-EHA ²	E-EHA ²	E-EHA ²	E-EHA ²
Characteristics					
Weight	g	271	271	271	250
Colours		white/brown/oak/grey			
Material (main)		PS, ABS	PS, ABS	PS, ABS	PS, ABS
Installation					
Slot	mm	2 x (172 x 12)			
Window installation		■	■	■	■
Rolling shutter casing installation		■	■	■	■
Destination room		bedroom / living room			

*the device can be added as an accessory on EAR200 and EAR204 codes (complete external body + button + cam)

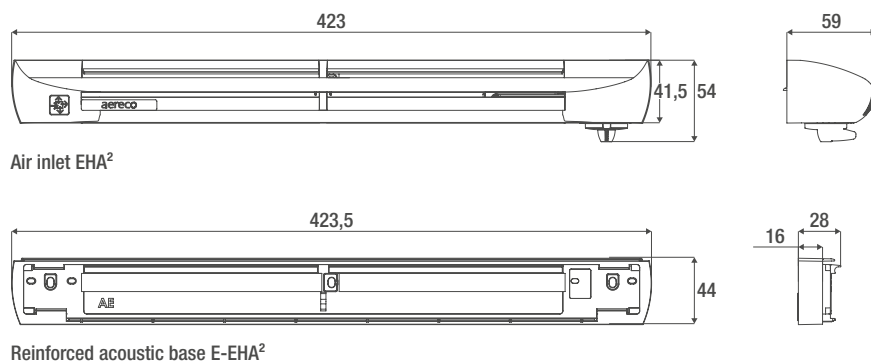
■ standard | □ optional

**for the 22-50 m³/h version, use the EHA air inlet

Airflow characteristics



Dimensions in mm



FLY389GB_V3