

**Regulējama logu montāžas sistēma, nostiprināma  
aiz sienas konstrukcijas: SFS intec ražotā JB-D® System**



## JB-D® – logu montāžas sistēmas ar daudzām + priekšrocībām

JB-D® montāžas sistēma nodrošina precīzu logu un durvju ailu izvietošānu un visu pastāvīgo un mainīgo slodžu uzņemšanu.

JB-D® sistēma ir regulējama trīs plaknēs, viegli kompensējot strukturālās montāžas pielāides. Montāžas konsoles izmērs ir līdz 150 mm, un to var izvietot atbilstoši optimālam izotermiskajam profilam.



### Izdevīgs risinājums

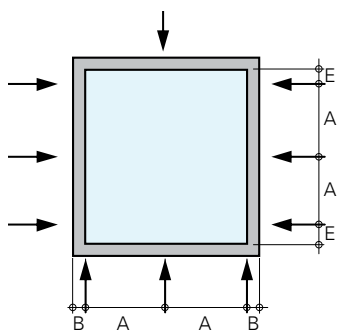
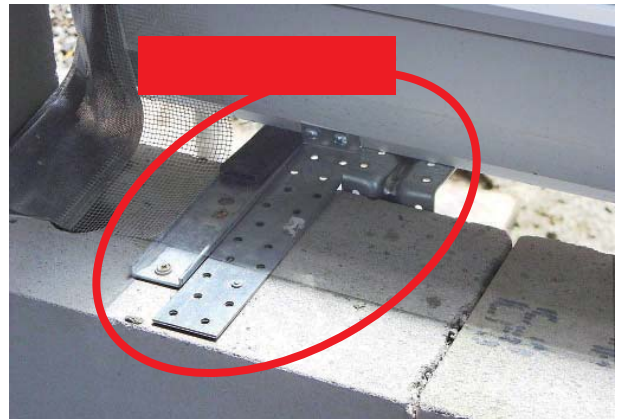
- + Pilnīgā trīsdimensionāli pielāgojama
- + Ļauj viegli kompensēt izplatītākās montāžas pielāides
- + Vienkārša, ātra un droša lielāku, smagāku logu un durvju ailu montāža
- + Sistēmas risinājums paredz konsoles no 30 mm līdz 150 mm
- + Palielināta slodzes nestspēja, neizmantojot dārgus papildu balsta elementus
- + Izturīga konstrukcija novērš iespējamās problēmas, kas rodas pēc montāžas

### Augstāka kvalitāte

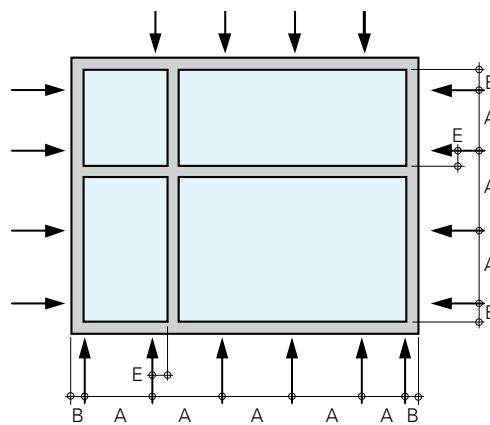
- + Aprēķināta slodzes nestspēja un drošības statika (skatīt datu lapu)
- + Droša, konsekventa logu montāža
- + Piemērota visām darba slodzēm
- + Visaptveroša sistēma, ko piegādā viens ražotājs
- + Viegla un droša uzstādīšana atbilstoši RAL noteikumiem / ift Rosenheim (Vācija)

### Strukturālā fizika

- + Montāžas konsole izvēlēta atbilstoši optimālam izotermiskajam profilam
- + Netiek kavēts blīvēšanas process
- + Pietiekami daudz vietas izolācijas un blīvēšanas materiālam



↑ Stiprin šarnas punkti  
Befestigungspunkte

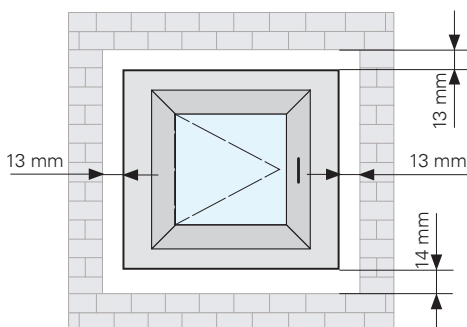


- BMVNOJKBMPHJNBLETN
- LPLBMPHJNBLETN
- 17MPHJNBLETN

□ "UTUBSEOPSKTUSB  
oNINOPMPHBSNKBSKTUSB

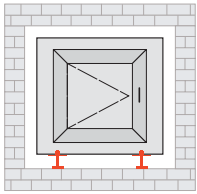
□ "UTUBSEOPJFLKTUSB  
"UUMVNTOPMPHBBMPEBTSNKB□  
JFLKTUSBVOMPHBWFSUJLMBKJFN□  
VOIPSJPOUMBKJFNSTLPLJFN□  
oNIN

1JFMBJEF



JOJNMBJTBUUMVNT  
3NKBBUWSVNT

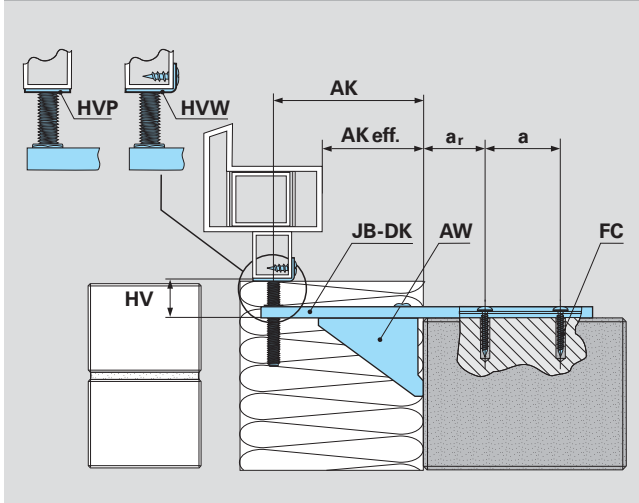
.BLTJNMBJTBUUMVNT□  
BUTUBSFMTMBUUVNTN



## Pre-installation of JB-DK brackets on the cill of the aperture (pre-installed without window)

Structure:

**Sand-lime brick, concrete**



### Dimensions and names

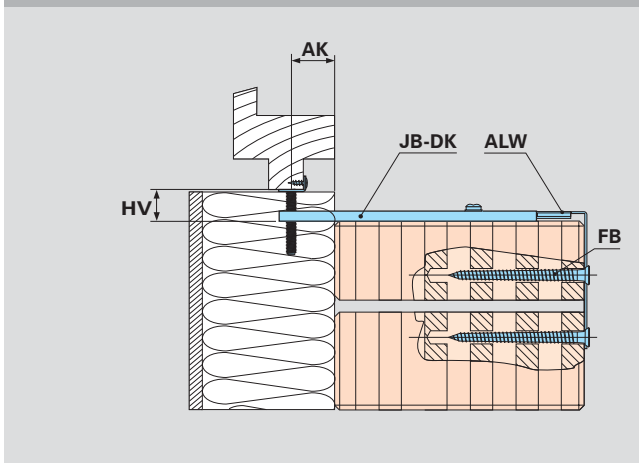
<b>AK</b>	max. cantilever (with respect to mid-frame profile)
<b>AKeff.</b>	effective cantilever (depending on profile width)
<b>HV</b>	Height adjustment, max. 30 mm
<b>a</b>	Centres distance, min. 25 mm (appl. to SFS fasteners)
<b>ar</b>	Edge distance, min. 30 mm (applies to SFS fasteners)
<b>AW</b>	Support angle, over 80 mm cantilever
<b>ALW</b>	Support angle for perforated bricks
<b>HVW</b>	Height adjustable angle
<b>HVP</b>	Height adjustment plate

### JB-DK brackets

mm	Order code	Item No.
<b>AK 5-50</b>	JB-DK50/5-HVW30	1172603
	JB-DK50/5-HVP30	1172604
138/1,5 mm		
138/2,5 mm	JB-DK50/10-HVW30	1187876
	JB-DK50/10-HVP30	1187877
<b>AK 5-100</b>	JB-DK100/10-HVW30	1172607
	JB-DK100/10-HVP30	1172608
188/2,5 mm		
<b>AK 50-100</b>	JB-DK100/10-AW75/27-HVW30	1246444
	JB-DK100/10-AW75/27-HVP30	1246449
188/2,5 mm		
<b>AK 100-130</b>	JB-DK100-130/10-AW125/57-HVW30	1246445
	JB-DK100-130/10-AW125/57-HVP30	1246450
253/2,5 mm		
<b>AK 120-150</b>	JB-DK120-150/10-AW125/37-HVW30	1246446
	JB-DK120-150/10-AW125/37-HVP30	1246451
253/2,5 mm		

Structure:

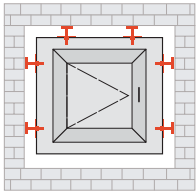
**Perforated bricks**



### JB-DK-ALW brackets

mm	Order code	Item No.
<b>AK 100</b>	JB-DK100/10-ALW-HVW30	1248371
	JB-DK100/10-ALW-HVP30	1248372
253/2,5 mm		
<b>AK 100</b>	JB-DK100/10-ALW-AW75-HVW30	1246447
	JB-DK100/10-ALW-AW75-HVP30	1246452
253/2,5 mm		

The window installation on perforated brick masonry uses the **ALW** support angle. It is attached on the inside of the structure with FB fasteners.

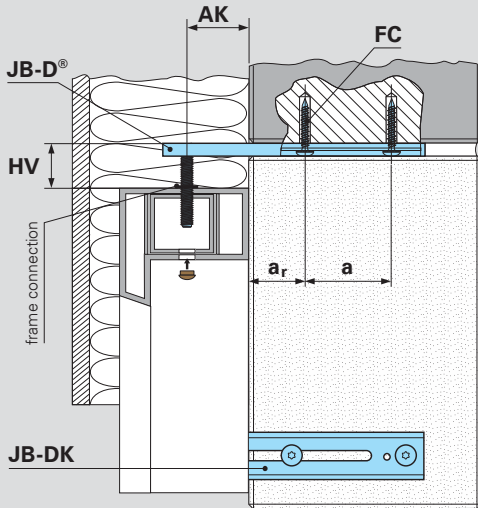


## Pre-installation of JB-D® brackets on the Jamb and Head of the frame (after window fabrication, or on-site)

Structure: **Perforated brick,  
Sand-lime brick, concrete**

### JB-D® bracket

Pre-assembled with fixing plate



HV60	HV40	mm	Order code	Item No.
		138/1,5 mm	<b>AK 5-50</b> JB-D50/5-40-AM8-T	1172634
			JB-D50/5-60-AM8-T	1172635
		138/2,5 mm	<b>AK 5-50</b> JB-D50/10-40-AM8-T	1246396
			JB-D50/10-60-AM8-T	1246440
		188/2,5 mm	<b>AK 5-100</b> JB-D100/10-40-AM8-T	1246438
			JB-D100/10-60-AM8-T	1246441
		253/2,5 mm	<b>AK 100-150</b> JB-D150/10-40-AM8-T	1249502
			JB-D150/10-60-AM8-T	1249503
		253/2,5 mm	JB-D150/10-AW75-40-AM8-T	1246439
			JB-D150/10-AW75-60-AM8-T	1246443

### Protective caps

Order code	Item No.	Colour
CC-JB/10,5 RAL 8011	846877	brown
CC-JB/10,5 RAL 9010	846879	white
CC-JB-SD RAL 9010	852078	white

SD = driving rain proof, ift approved



### JB-D® System load capacity

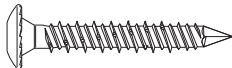
(only valid if installed with SFS screws, concrete, sand-lime brick)

Product	Load type	Load capacity in N															
		20	30	40	50	60	70	80	90	100	110	120	130	140	150		
Cill bracket	JB-DK50/5	compression	540	480	400												
	JB-DK50/10	compression	2000	1500	1000												
	JB-DK100/10	compression				1350	1140	920	700	600	500						
	JB-DK100/10-AW75	compression				3400	2800	2150	1400	1200	1000						
	JB-DK100-130/10-AW125	compression									2800	2300	1800	1600			
	JB-DK120-150/10-AW125	compression											1800	1600	1350	1150	
tension and <b>compression</b> load type (bottom and top) to be added (see sketch below)																	
Jamb bracket	JB-D50/5	tension (H <sub>1</sub> )/(H <sub>2</sub> )	250	225	200												
		compress. H <sub>1</sub> /H <sub>2</sub>	540	480	400												
	JB-D50/10	tension (H <sub>1</sub> )/(H <sub>2</sub> )	900	750	600												
		compress. H <sub>1</sub> /H <sub>2</sub>	2000	1500	1000												
	JB-D100/10	tension (H <sub>1</sub> )/(H <sub>2</sub> )				600	520	440	350	300	250						
		compress. H <sub>1</sub> /H <sub>2</sub>				1350	1140	920	700	600	500						
	JB-D150/10	tension (H <sub>1</sub> )/(H <sub>2</sub> )										250	215	175	140	120	100
		compress. H <sub>1</sub> /H <sub>2</sub>										500	385	315	250	225	200
	JB-D150/10-AW75	tension (H <sub>1</sub> )/(H <sub>2</sub> )										1200	1050	900	750	625	500
		compress. H <sub>1</sub> /H <sub>2</sub>										1200	1050	900	750	625	500
	Cantilever in mm			20	30	40	50	60	70	80	90	100	110	120	130	140	150

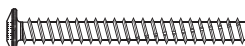
JB-D® models which may be installed onto honeycomb bricks are being processed.

## Tools and accessories

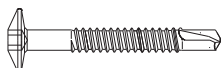
### Concrete and sand-lime brick installation

Order code	Item No.	
FC-D15/T25-7,2x45	924811	
100 pieces per box		


### Perforated brick installation

Order code	Item No.	
FB-FK-T30-7,5x102	1117984	
100 pieces per box		
<small>Other lengths avail. Upon request</small>		

### SPC coupling screw (self-drilling)

Order code	Item No.	
SPC4/33-5,5x45	1133336	
100 pieces per box		
<small>Other lengths avail. Upon request</small>		

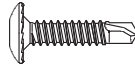
### Drive Bit

Order code	Length	Item No.
Bit T30-202 ¼"-6kt	70 mm	23488
Bit T25-101 ¼"-6kt	25 mm	24008
 10 pieces per box		


### PVC installation, unreinforced

Order code	Item No.	
VAP/34-D13/T30-P6x40-GS	1147091	
100 pieces per box		


### PVC installation, with reinforcement

Order code	Item No.	
SPM3/15-D13/T30-5,5x25-GS	1141761	
100 pieces per box		


### Small mounting angle

Order code	Item No.	
<b>JB-W-70x58</b>	1179131	
50 pieces per box		

### Large mounting angle

Order code	Item No.	
<b>JB-W-120x58</b>	1234784	
50 pieces per box		

### Mounting plate

Order code	Item No.	
<b>JB-F-165x58</b>	1179120	
50 pieces per box		

### Personal consultation

If you have any questions about mounting technology, please call us. Our technicians have years of experience and would be happy to share their extensive knowledge of system applications with you.



### Technical advice and sales service

SFS intec Ltd.  
FasteningSystems  
153 Kirkstall Road  
UK-Leeds, LS4 2AT

T +44 113 2085 500  
F +44 113 2085 573  
E [uk.leeds@sfsintec.biz](mailto:uk.leeds@sfsintec.biz)  
[www.sfsintec.biz/uk](http://www.sfsintec.biz/uk)  
[www.secureintheknowledge.co.uk](http://www.secureintheknowledge.co.uk)

**SFS** intec  
Turn ideas into reality.